

FAV-250



Model: JLV-12250KA Size: 252*90*44.5mm



Brief Information

Powermax[™]
Technology Inside

250W

Waterproof Power Supply (C.V.)

Model FAV-250-12E / FAV-250-24E

Input 170-250V AC

Output 12VDC 20.83A 250W / 24VDC 10.42A 250W

Product Features

- High transfer efficiency
- Stable constant voltage output
- IP67, both indoor & outdoor use suitable
- 100% full loading, 100% burn-in tested
- Overload/short circuit protection

MAIN ELECTRICAL DATA

AC Input

Input Voltage	170-250V
Input Frequency	50/60Hz
Efficiency (Typ.)	>86%
Input Current	1.22A@230V _{max.}
Inrush Current	40A
Leakage Current	3mA/230VAC

DC Output

Output Voltage	12V	:	24V
Rated Current	20.83A	:	10.42A
Rated Power	250W	:	250W
Ripple & Noise (Max.)	<150mVp-p	:	<300mVp-p
Setup, Rise Time	1000ms/230VAC	:	1000ms/230VAC
Line Regulation	1%	:	1%
Load Regulation	1%	:	1%

Service Environment

Working Temp.	-25°C~50°C
Working Humidity	20~99%RH
Storage Temp.	-40°C~80°C
Storage Humidity	10~99%RH

Protection

Overload	Yes, cut-off mode, output shuts down if 5-30% overloaded, automatic recovery
Short Circuit	Yes, hiccup mode, recovers automatically after fault condition is removed

Safety

Safety Standard	EN 61347-2-13
Withstand Voltage	I/P-O/P: 3750VAC/1min/<5mA
Isolation Resistance	I/P-O/P: >100M Ohms / 500VDC /25°C / 70%RH

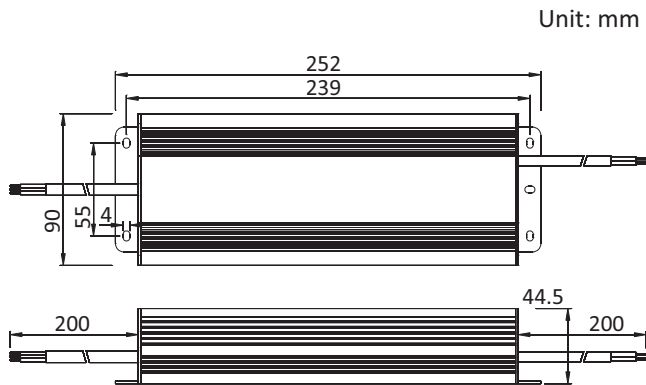
Packaging Information

Product Dimension	252*90*44.5mm
Products Net Weight	1800G
PCS/Carton(QTY)	10 PCS
Master Carton Size	30*25*27cm
G. Weight/ Carton	19.5KG

Installation Tips:

- Please identify the power supply's input and output before installation.
- Ensure correct output + & - wire connection. Power on after wire connection is done.
- To avoid voltage drop and loading capacity wasting on the output extension wire, please install the power supply to the loading as near as possible, if must use long extension wires, thicker wires and less loading wattage is required.
- The power supply to be installed at good ventilation and cooling environment.

Physical Drawing



Brief Information

Powermax[™]
Technology Inside

250W

Waterproof Power Supply (C.V.)

Model FAV-250-12E / FAV-250-24E

Input 170-250V AC

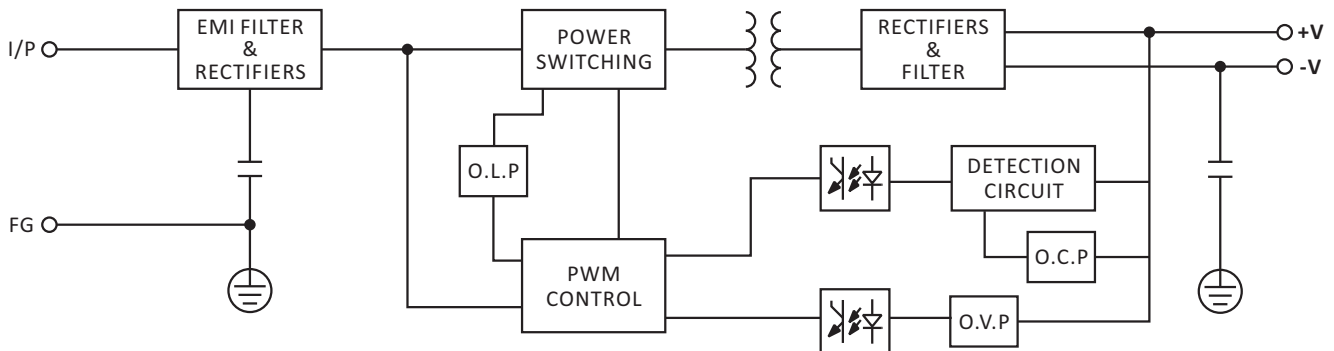
Output 12VDC 20.83A 250W / 24VDC 10.42A 250W

Input: 3x1.0mm² wire, Brown L, Blue N
300mm length

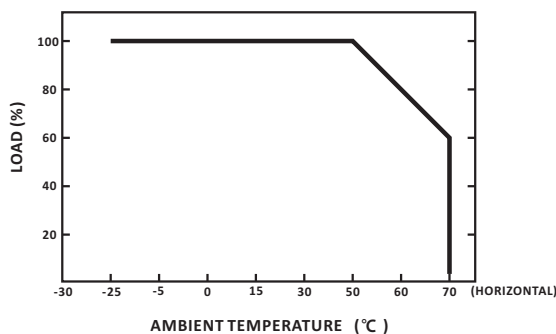
Output: 2x2.08mm² wire, Red +, Black -
300mm length

Housing: Aluminium

Block Diagram



Derating Curve



Static Characteristics

