

FAV-100-IP20



Model: FAV-100-XI Size: 110*78*35mm



Brief Information

Powermax™
Technology Inside

100W

Power Supply (C.V.)

Model FAV-100-12I / FAV-100-24I

Input 170-250V AC

Output 12VDC 8.33A 60W / 24VDC A 4.17A

Product Features

- Compact size, easy for installation
- High transfer efficiency
- Endurable & stable quality
- 100% full loading, 100% burn-in tested
- Overload/short circuit protection

MAIN ELECTRICAL DATA

AC Input

| | |
|-------------------|----------------------------|
| Input Voltage | 170-250V |
| Input Frequency | 50/60Hz |
| Efficiency (Typ.) | 88% |
| Input Current | 230V: 1.2A _{max.} |
| Inrush Current | 40A |
| Leakage Current | 5mA/230VAC |

DC Output

| | | |
|-----------------------|---------------|---------------|
| Output Voltage | 12V | 24V |
| Rated Current | 8.33A | 4.17A |
| Rated Power | 100W | 100W |
| Ripple & Noise (Max.) | <100mVp-p | <100mVp-p |
| Setup, Rise Time | 1500ms/230VAC | 1500ms/230VAC |
| Line Regulation | 1% | 1% |
| Load Regulation | 1% | 1% |

Service Environment

| | |
|------------------|------------|
| Working Temp. | -30°C~60°C |
| Working Humidity | 20~90%RH |
| Storage Temp. | -40°C~80°C |
| Storage Humidity | 10~95%RH |

Protection

| | |
|---------------|------------------------------------------------------------------------------|
| Overload | Yes, cut-off mode, output shuts down if 5-30% overloaded, automatic recovery |
| Short Circuit | Yes, hiccup mode, recovers automatically after fault condition is removed |

Safety

| | |
|----------------------|--------------------------------------------------------|
| Safety Standard | EN 61347-2-13 |
| Withstand Voltage | I/P-O/P: 3.75KVAC I/P-GND: 1.5KVAC O/P-GND: 0.5KVAC |
| Isolation Resistance | I/P-O/P: >100M Ohms / 500VDC /25°C / 70%RH |

Packaging Information

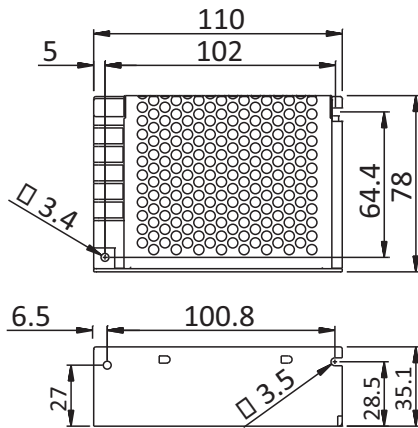
| | |
|---------------------|--------------|
| Product Dimension | 110*78*35mm |
| Products Net Weight | 270G |
| PCS/Carton(QTY) | 50 PCS |
| Master Carton Size | 45*26*22.5cm |
| G. Weight/ Carton | 15KG |

Installation Tips:

- Please identify the power supply's input and output before installation.
- Ensure correct output + & - wire connection.
Power on after wire connection is done.
- To avoid voltage drop and loading capacity wasting on the output extension wire, please install the power supply to the loading as near as possible, if must use long extension wires, thicker wires and less loading wattage is required.
- The power supply to be installed at good ventilation and cooling environment.

FAV-100-IP20

Physical Drawing



Unit: mm

Brief Information

Powermax™
Technology Inside

100W

Power Supply (C.V.)

Model FAV-100-12I / FAV-100-24I

Input 170-250V AC

Output 12VDC 8.33A 60W / 24VDC A 4.17A

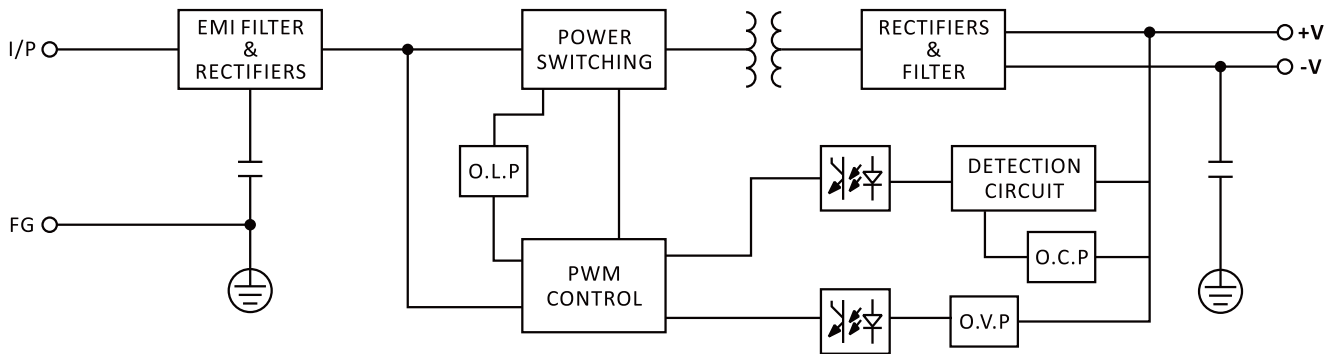
Input & Output:

HB-825-5 Screw Terminals

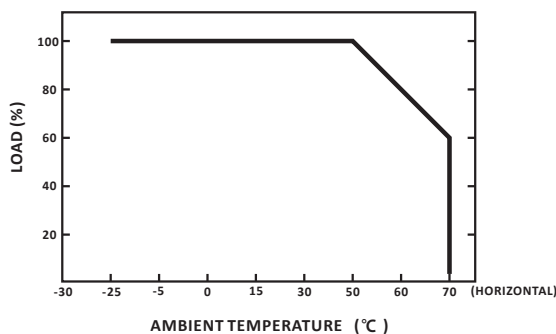
With inflaming retarding cover

Housing: Aluminium

Block Diagram



Derating Curve



Static Characteristics

