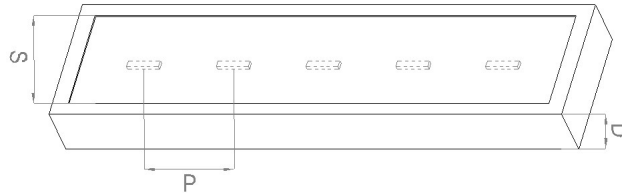


Specification: NOVA220CW4



- Features**
- Uniform Illumination
 - 390lm
 - 2 years warranty

- Applications**
- Created For Light box or big channel letters



·Light box

Depth (mm)	Distance (mm)	Density (pcs/m ²)	Illumination (Lux)	Luminous Intensity (cd/m ²)	Surface Brightness Difference	Uniform Light Rank
D=80	P=250,S=200	20	2100	630	5%-10%	Good
D=80	P=300,S=250	16	1800	545	5%-10%	Good
D=100	P=300,S=250	16	1500	454	5%-10%	Good
D=100	P=350,S=300	12	1300	400	5%-10%	Good
D=120	P=300,S=250	16	1300	400	5%-10%	Good
D=120	P=350,s=300	16	1000	310	5%	Good

①*Best: The difference of area brightness is less 5%. Perfect uniform light. No lumen are wasted.

*Good: The difference of area brightness is from 5%~10%. Good uniform light .Many lumen are wasted.

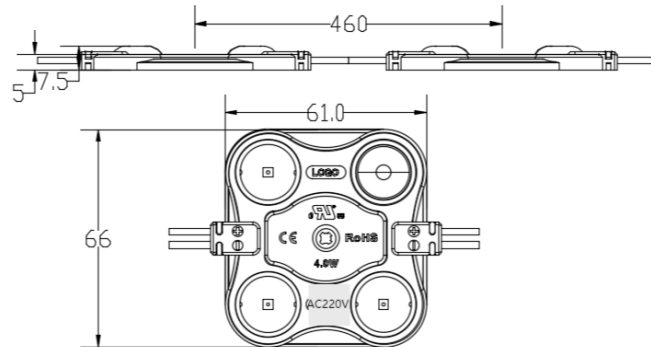
*Ok: The difference of area brightness is from 10%~20%. feel light shadow on far edge of light but ok.

②Test Condition

*3mm Depth Mitsubishi White Acrylic. Other face materials may vary light uniformity and brightness. *The color temperature is 6500K.

Dimensions

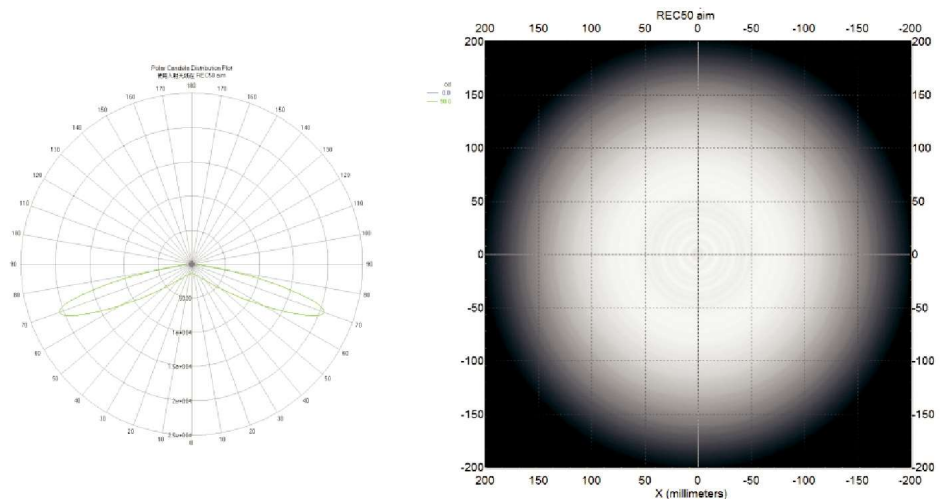
Length: 66mm
 Width 61mm
 Thickness : 5mm
 Module Pitch : 460mm



General Information

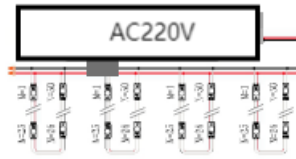
Color temperature	3000K/6500K/7500k/9000K
Standard Deviation Of color matching	<3sdcn
Voltage	AC 220V
Power/Module(w)	4w
Current(mA)	18mA
Lumen/module	400
LED type	SMD 3030(1W/LED)
Efficiency(lm/w)	100
LED CHIP	SANAN
Beam Angle	175°
Driving System	Constant voltage
CRI	80Ra
Module/chain	20
Modules max in series	20
IP	65
Warranty	2 years
Lifetime	30,000hrs

Light Distribution



Wiring

4D3030



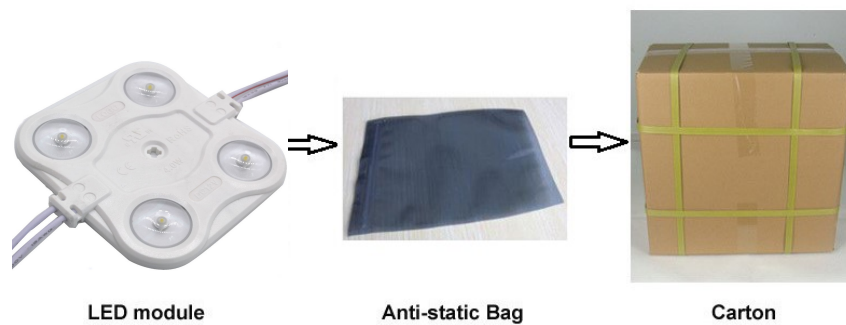
Standards&Certificates

- EMC EN55015:2013+A1+2015
EN61547:2009
EN61000-4-2:2009
EN61000-4-3:2006+A2:2010
- Rohs IEC62321:2008
IEC62321-4:2013
IEC62321-5:2013

Thermal Behavior

operation temperature (operation, no defects)	ta	- 40 → + 85 ° C
storage temperature	ts	- 40 → + 85 ° C
max. temperature tc point	tc	90 ° C

Packing



	Qty of one bag (pcs)	Qty of a carton (pcs)	Dimension (mm)	Net weight(kg)	Gross Weight(kg)
Carton	40	480	460*370*250	23.5	24.2