

## Product datasheet



P/N: NOVA 72

### Areas of application

- Signage and illuminated advertising.
- Backlighting of channel letters and light box.
- Best for 50mm to 150mm depth (2inch to 6inch).

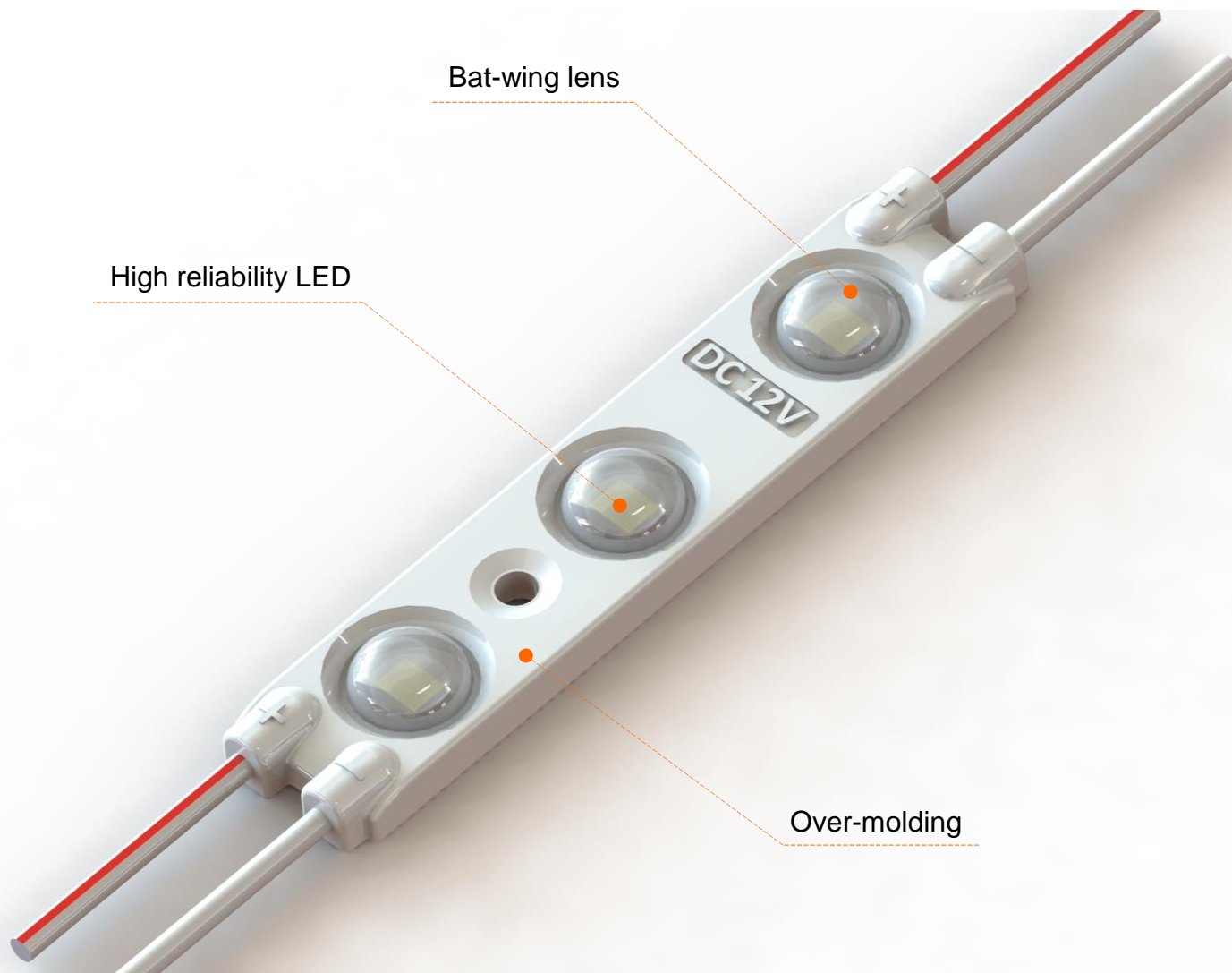
### Product main benefits

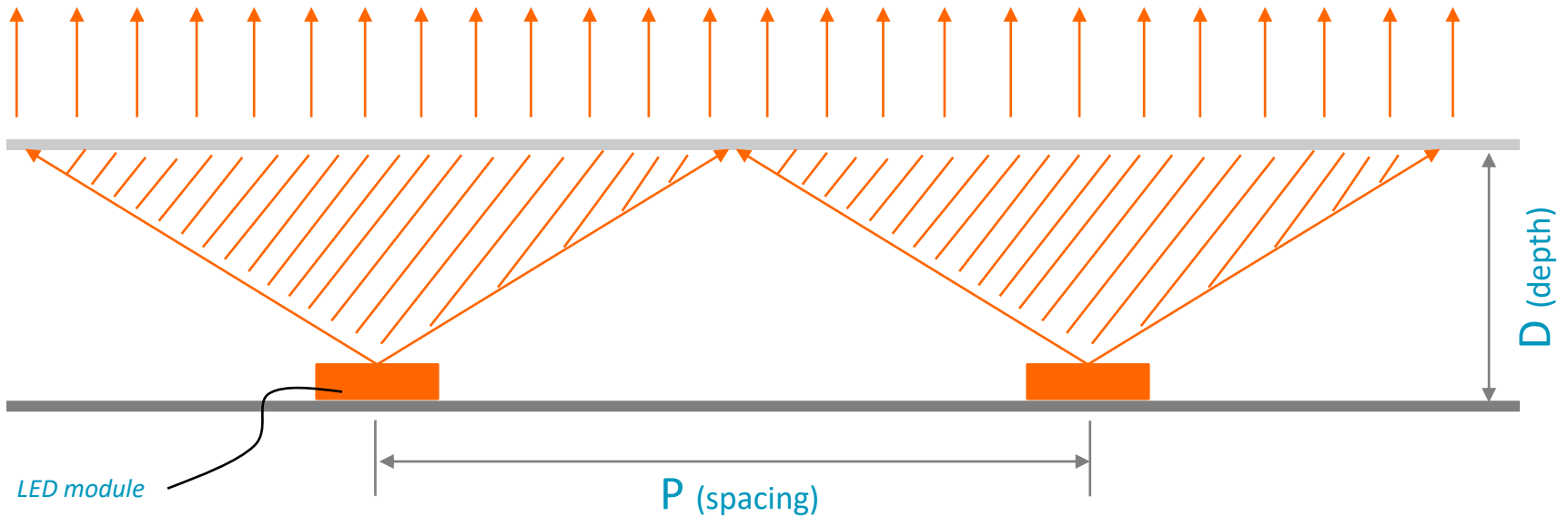
- Good optics (bat-wing lens) design to achieve good optical performance. - 3 Years warranty.

0.72W

- IP66

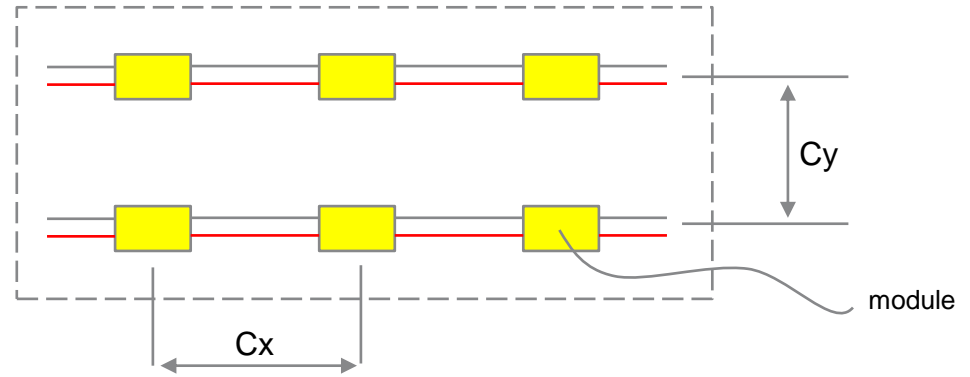
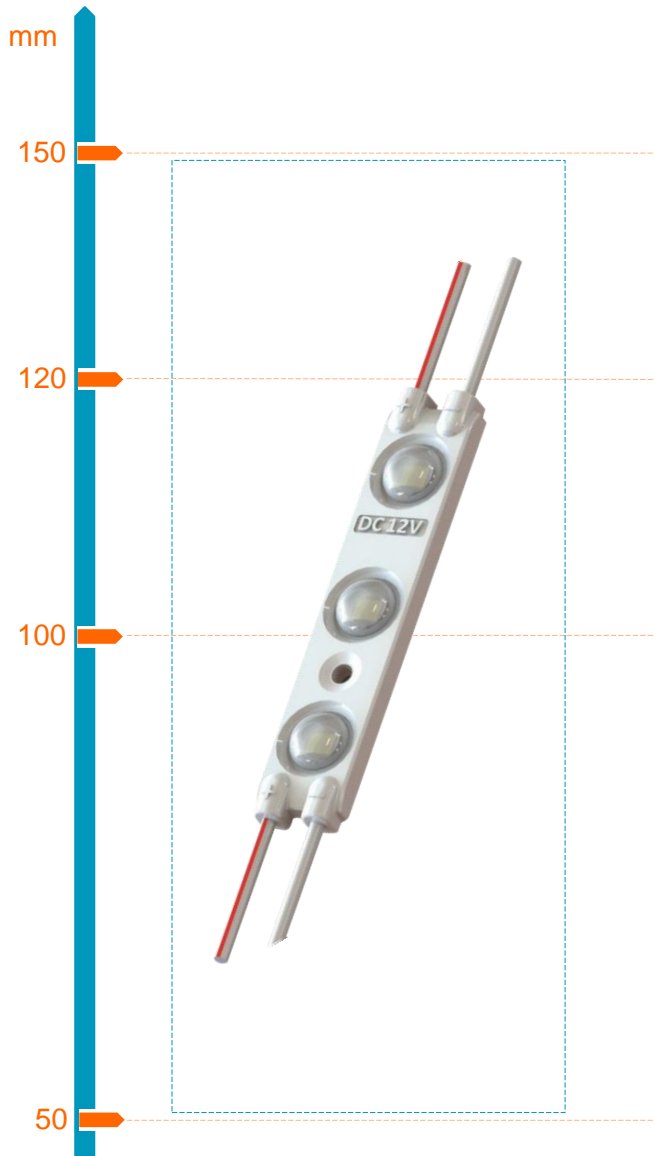






$$\text{optical performance proportion} = \frac{D(\text{depth})}{P(\text{spacing})} = 1:1.5$$

- The proportion of “P” and “D” can show the performance of lens optics design.
- The bigger proportion, the wider light spot.



Depth	Cx	Cy	Surface illuminance
60mm	90mm	80mm	~2000lux
100mm	130mm	100mm	~1300lux
120mm	150mm	130mm	~900lux

PART NUMBERS	Typical Voltage	Energy Consumption (W/module)	Energy Consumption (W/chain)	Energy Consumption (W/ft.)	Additional Information (modules/chain)
NOVA 72	12VDC	0.72	14.4	1.4	20

Remark:

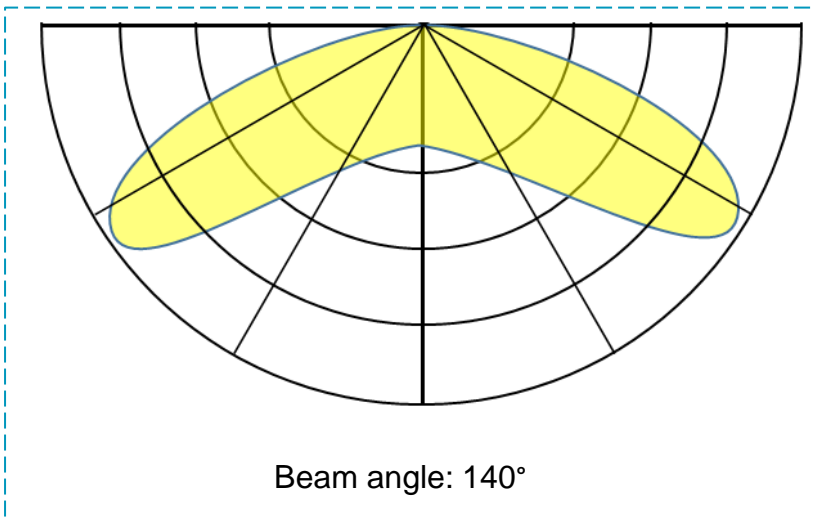
1. Ranking at  $t_a = 25^\circ\text{C}$ .
2. Constant voltage design.

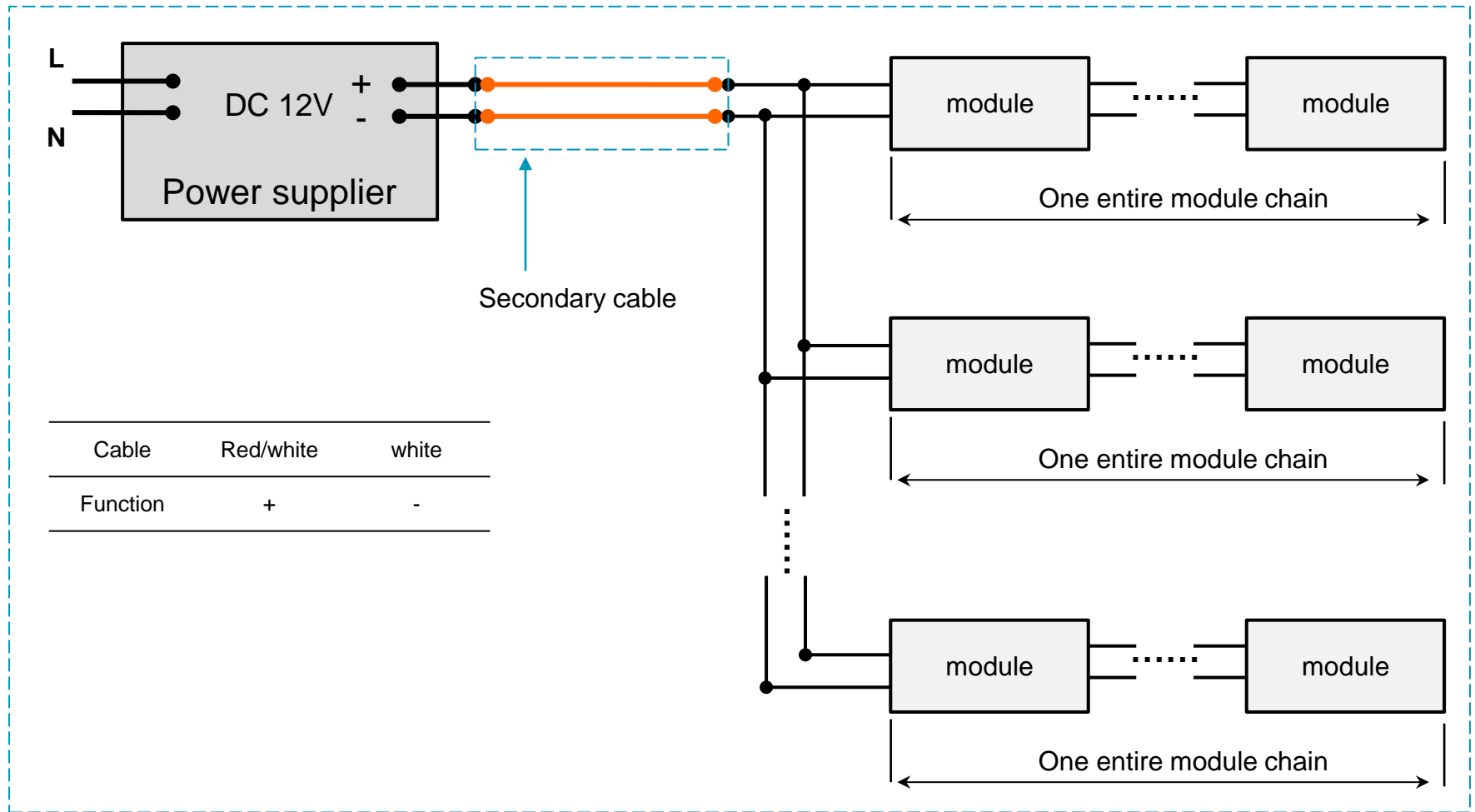
PART NUMBERS	Module power	Light color (designation)	Color (CCT, wavelength)	Typical Brightness (lumen/module)	Typical Brightness (lumen/chain)	Typical Brightness (lumen/ft.)
NOVA72	0.72W	White	6500K	72	1440	64.6
NOVA72	0.72W	RED	620nm - 625nm	20	400	41
NOVA72	0.72W	GREEN	518nm - 525nm	48	960	96
NOVA72	0.72W	BLUE	458nm - 470nm	10	200	20

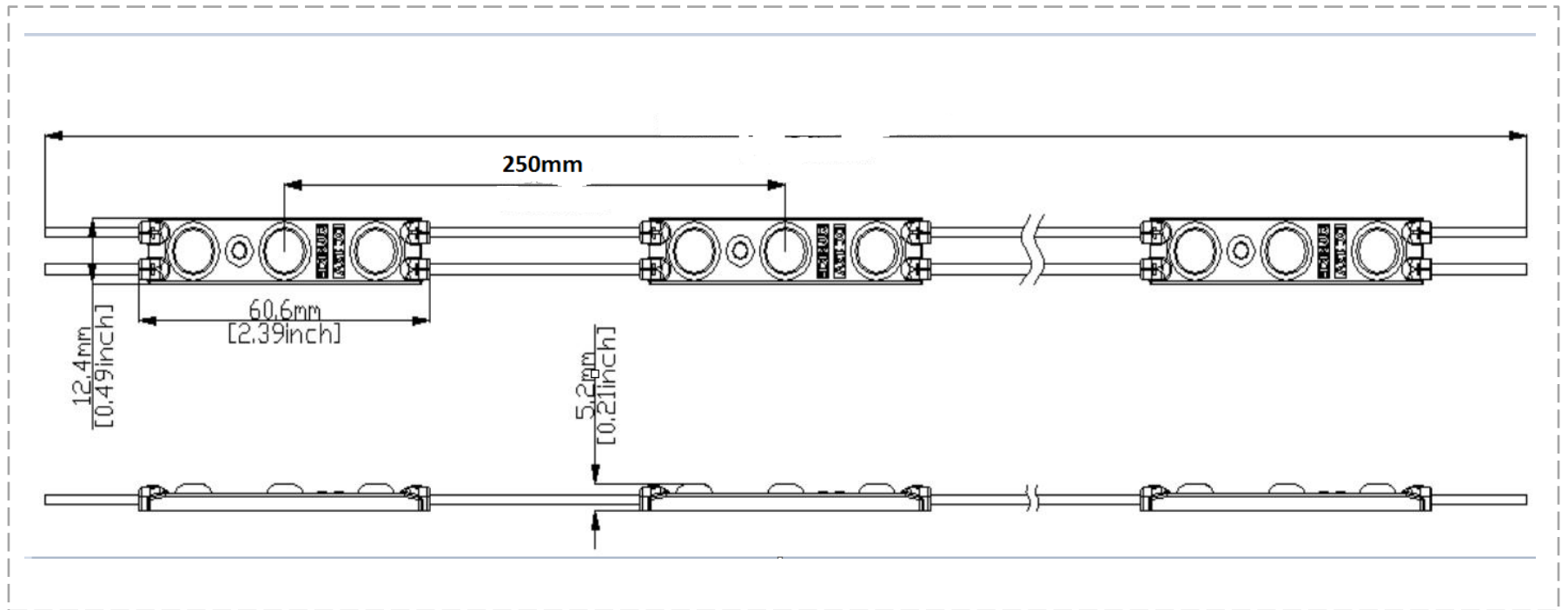
1. Ranking at  $t_a = 25^\circ\text{C}$ .
2. Tolerance of measurements for brightness is  $\pm 10\%$ , tolerance of measurements for the Chromaticity Coordinate is  $\pm 0.01$ ; the tolerance of CCT should be calculated accordingly,  $R_a > 70$ .

# Application Conditions and light distribution

Operating Environment ( $t_a$ )	-25°C to +55°C
Storage Temperature Range ( $t_s$ )	-40°C to +85°C
IP Rating	IP66
Lifetime (L70B50)	30,000 hours
$t_c$ temperature	80°C
Dimming mode	Dimmable
Cutting Resolution	Cut on wire between every module







PRODUCTS	PART NUMBERS	Package unit (modules/carton box)	Carton box Dimensions (length x width x height)
NOVA72	NOVA72	2000	52 x 37 x 26 cm

## Additional information:

- Installation of LED modules (with power supplies) needs to be made under consideration of all valid regulations and norms.
- Installation by qualified electrician only.
- Parallel connection is mandatory for safe electrical operation. Serial connection of LED modules is discouraged. Unbalanced voltage drop in serial connection can cause hazardous overload
- Electrical contact is achieved with the contact cables or the terminals of the module. Please refer to the technical data for maximum number of LED modules that can be operated on one control gear.
- To avoid mechanical damage, the LED modules have to be attached securely to the intended mounting surface. It is recommended to avoid heavy vibration.
- LED modules are dimmable by means of PWM (pulse width modulation).