

## Best for Decorative Lighting



**NOVA D**



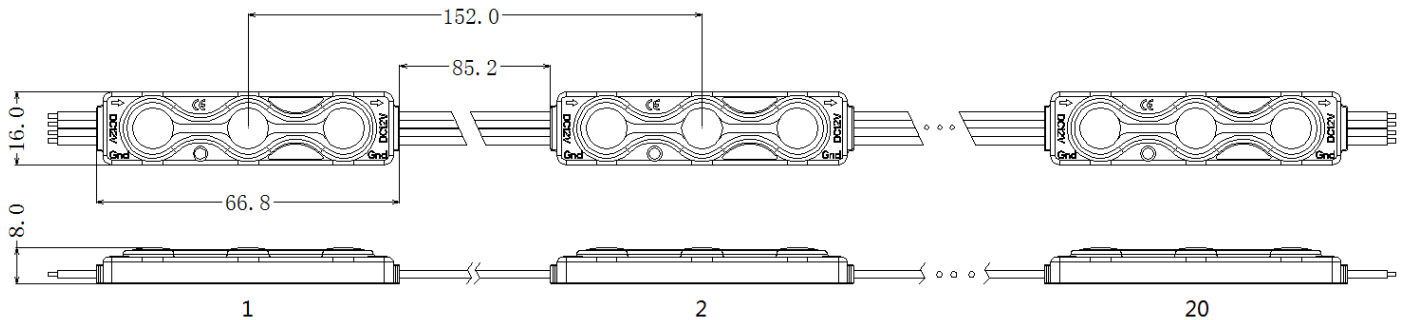
### 1. Features

- ✧ Injection molding process,water proof: IP66
- ✧ Digital control RGB+IC
- ✧ Control mode: SPI (DMX512)
- ✧ Control IC:WS2811 (UCS512B3)

### 2. Applications

- ✧ Commercial standing lighting
- ✧ Decorative lighting
- ✧ Logo lighting
- ✧ Line/shape lighting

### 3. Dimensions



Unit: mm

Note: the pitch based on 100mm wire

### 4. Environmental and Application Conditions

Ambient temperature range (TA on free air)	-25...+55℃
Storage temperature range	-40...+65℃
IP rating	IP66

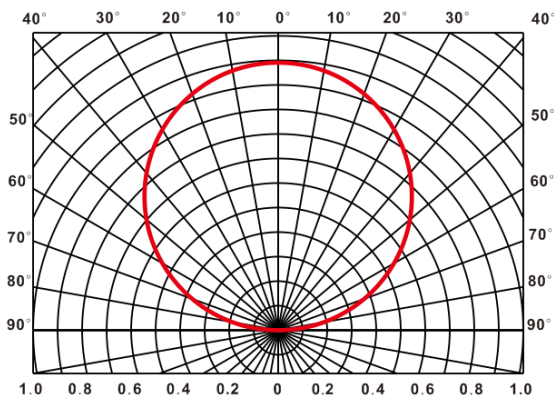
### 5. Electrical parameters

LED	5050 RGB
Supply voltage (rated)	12V DC
Supply Current (per module,rated)	Max 60 mA @ DC12V
Power (per module, rated)	Max 0.72 W @ DC12V

## 6. Optical parameters (module base)

Part No.		Color Range			Flux Range		Beam angle
		Min. CCT or wavelength	Typ. CCT or wavelength	Max. CCT or wavelength	Min. Lumen	Typ. Lumen	
NOVA D	R	620 nm	625 nm	630 nm	4	6	120°
	G	510 nm	515 nm	520 nm	10	16	
	B	460 nm	465 nm	470 nm	3	3.5	

## 7. Light distribution graph



## 8. Attention

- Maximum number of modules of one chain is 20pcs from power supplier to single end.
- The given Illuminance parameters ensure Illuminance on the surface. Depending on the type of material used for channel letters or lighting boxed, the parameters can change. More brightness is obtained if distances between LED modules are reduced.
- The LED module itself and all its components may not be mechanical stressed.
- Please ensure that the power supply is adequate power to operate the total load. Only qualified personnel should be allowed to perform installations.
- The design of the housing should be according to the IP standards in the application.
- If surge protection structure not within power supplier, a lightning protector should be needed additionally.