

Product Specifications

Model number: T1

Products name: knob LED dimmer



Product Description

Single color dimmer can achieve step-less dimming. It adopts the knob control manner. According to actual needs, users can transfer the light to the appropriate brightness.

Technical Parameters

Working temperature	-20-60
Supply voltage	12V~24V optional
Output	1 channel
External dimension	L89*W59*H35 mm
Packing size	L92xW63xH62mm
Net weight	80g
Gross weight	90g
Static power consumption	<1W
Output current	<8A
Output power	12V:<96W, 24V:<192W

External Dimension

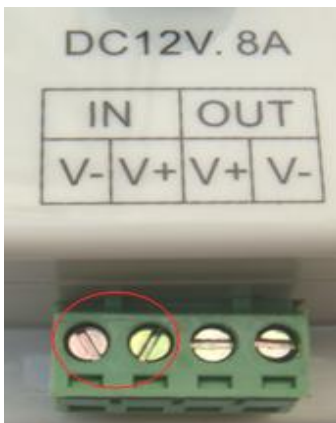
Controller size



Package size

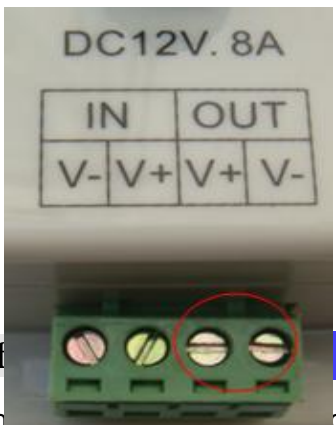
Interface Specifications

Power input interface:



Adopt male and female connector with screw.

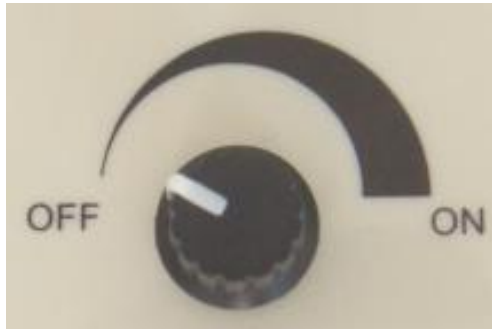
Load output interface:



Adopt male and female connector with screw.

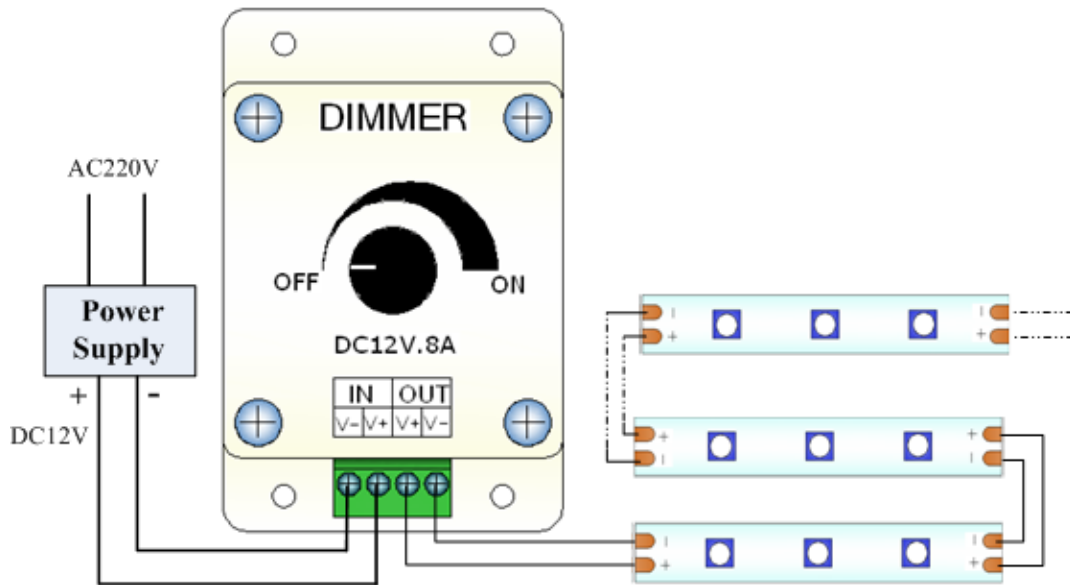
Direction f

- Connect the load following by the power wire; **Please ensure short circuit can not occur between connecting wire before you turn on the power;**
- Adopt rotary button, its function as follows:
Rotate button to the right, brightness will be brighter, when you rotate it to the far right, the brightness is greatest.
Rotate button to the left, brightness will be darker, when you rotate it to the far left, the light will be turned off.



Typical Applications

Application Circuit:



Cautions

- 1、 This products Input voltage is DC12V,other input voltage are not allowed.
- 2、 Lead wire should be connected correctly,according to the wire color and the connecting diagram offers.
- 3、 Overload are prohibited.