

RT5,RT10

RGB+CCT Touch Wheel RF Remote Controller

RF RGB+CCT

- Apply to RGB+CCT LED controller.
- Ultra sensitive color adjustment touch wheel.
- Each remote can match one or more receiver.
- AAAx2 battery powered.
- Operate with LED indicator light.

CE RoHS  RED



RT5
1 Zone RGB+CCT

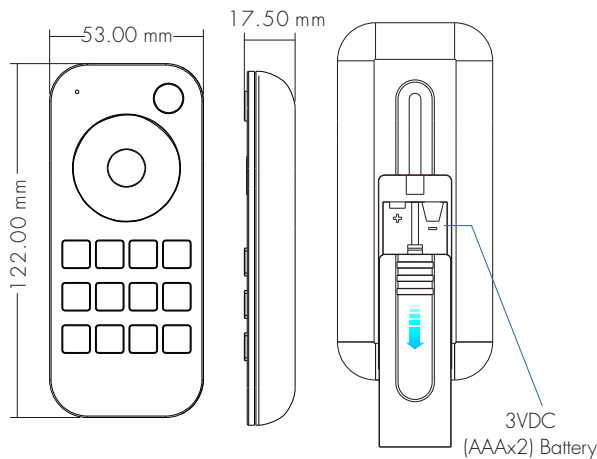


RT10
4 Zone RGB+CCT

Technical Parameters

Input and Output		Safety and EMC		Environment		
Output signal	RF(2.4GHz)	EMC standard (EMC)	ETSI EN 301 489-1 V2.2.3	Operation temperature	Ta: -30 °C ~ +55 °C	
Working voltage	3VDC(AAAx2)		ETSI EN 301 489-17 V3.2.4			
Working current	<5mA	Safety standard	EN 61348-1:2015+A1:2021	Package	Size	L140 x W60 x H26mm
Standby current	<10µA		EN 61348-2-13:2014+A1:2017			Gross weight
Standby time	1 year	Radio Equipment(RED)	ETSI EN 300 328 V2.2.2	Warranty	Warranty	5 years
Remote distance	30m(Barrier-free space)	Certification	CE,EMC,RED			

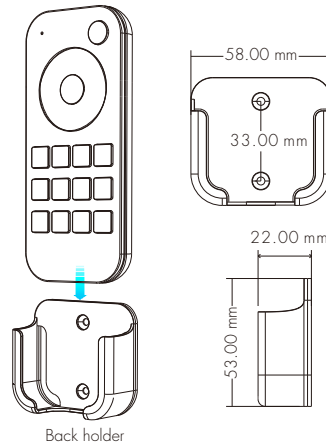
Mechanical Structures and Installations



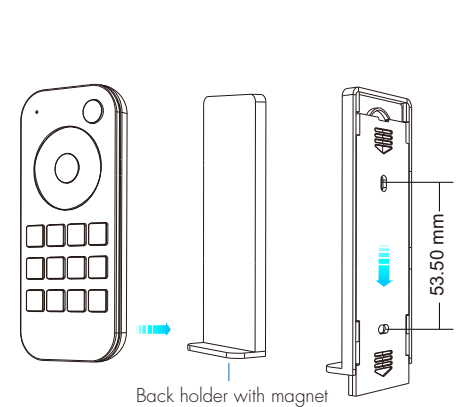
Back holder

Two options are offered for selection, please fix the back holder on the wall with two screws, or adhere the back holder to the wall with paster.

1. Back holder without magnet



2. Back holder with magnet (The remote with built-in magnet)



Operation

- When turn on light, the indicator display blue. when turn off light,the indicator display red.
- When touch the color wheel, the indicator will display the same color.
- When press or touch operation is invalid (If the light is off), the indicator display red.
- To extend battery life, no touch or press key operation after a few seconds, the touch wheel will enter sleep state, you need press any key to make touch wheel quit sleep state.

Match Remote Control (two match ways)

End user can choose the suitable match/delete ways. Two options are offered for selection:

Use the controller's Match key

Match:

Short press match key, immediately press on/off key (single zone remote) or zone key (multiple zone remote) of the remote. The LED indicator fast flash a few times means match is successful.

Delete:

Press and hold match key for 5s to delete all match, The LED indicator fast flash a few times means all matched remotes were deleted.

Use Power Restart

Match:

Switch off the power, then switch on power, repeat again. Immediately short press on/off key (single zone remote) or zone key (multiple zone remote) 3 times on the remote. The light blinks 3 times means match is successful.

Delete:

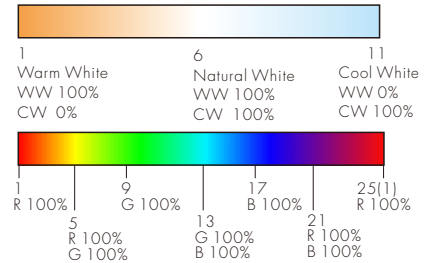
Switch off the power, then switch on power, repeat again. Immediately short press on/off key (single zone remote) or zone key (multiple zone remote) 5 times on the remote. The light blinks 5 times means all matched remotes were deleted.

Key function

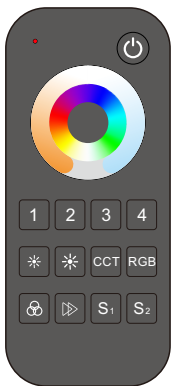
• RT5 1 zone RGB+CCT remote



- : Turn on/off light.
- : Touch to change RGB color or color temperature. Press RGB or CCT key to switch between RGB wheel and CCT wheel.
- : Adjust RGB or color temperature brightness, short press 10 levels, long press 1-6s for continuous 256 levels adjustment.
- : Adjust color temperature by WW/CW channel, short press 11 levels, long press adjust WW+CW brightness continuously.
- : Short press get 24 kinds static RGB color.
- : Short press run next dynamic mode, long press 2s run mode-cycle.
- : For dynamic RGB mode, adjust speed, short press 10 levels, long press 2s get the default speed. For static RGB color, adjust saturation, namely change current static RGB color to mixed white slowly, short press 11 levels, long press 1-6s for continuous 256 levels adjustment.
- : Short press get red, green or blue color directly. long press 1-6s to adjust R/G/B brightness continuously to achieve millions of colors.
- : Short press turn on/off white(WW/CW), long press 1-6s to adjust white(WW+CW) brightness continuously, namely change saturation by adding white color slowly.
- : Short press recall the scene, long press 2s save current color into S1/S2. the LED indicator display green when save OK.



• RT10 4 zone RGB+CCT remote



Each zone can match single color, dual color(WW/CW), RGB, RGBW, or RGB+CCT(WW/CW) controller or lamp.

- + : Single color
- + : Dual color(WW/CW)
- + : RGB
- + : RGBW
- + : RGB+CCT

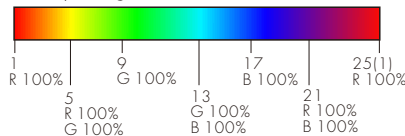
For example, long press + key for 2s will set zone 1 as RGB light type. When remote type change OK, the green indicator go on a long time.

- : Short press turn on/off all zone light.
- : Touch to change current zone RGB color or color temperature. Press RGB or CCT key to switch between RGB wheel and CCT wheel.
- : Short press select and turn on zone light, long press 2s turn off zone light.
- : Adjust RGB or color temperature brightness, short press 10 levels, long press 2s get min or max brightness.

: For dual color or RGB+CCT(WW/CW), adjust color temperature by WW/CW channel, short press 11 levels, long press adjust WW+CW brightness continuously.

For RGB, adjust color temperature by mix R/G/B channel, 11 levels.
For RGBW, adjust color temperature by adjust W channel brightness, 11 levels.

: Short press get 24 kinds static RGB color.



: Short press run next dynamic mode, long press 2s run mode-cycle.

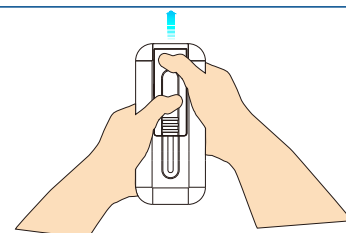
: For dynamic RGB mode, adjust speed, short press 10 levels, long press 2s get the default speed. For static RGB color, adjust saturation, namely change current static RGB color to mixed white slowly, short press 11 levels, long press 1-6s for continuous 256 levels adjustment.

: Short press recall the scene, long press 2s save current state into S1/S2. the LED indicator display green when save OK. 4 zone recall or save synchronously.

	1	6	11
	Warm White	Natural White	Cool White
CCT:	WW 100%	WW 100%	WW 0%
	CW 0%	CW 100%	CW 100%
RGB:	R 100%	R 100%	R 0%
	G 50%	G 100%	G 50%
	B 0%	B 100%	B 100%
RGBW:	W 0%	W 50%	W 100%

Safety information

1. Read all instructions carefully before you begin this installation.
2. When installing battery, pay attention to the battery positive and negative polarity. A long time without the remote control, remove the battery. When remote distance becomes smaller and insensitive, replace the battery.
3. If no response from the receiver, please re-match the remote.
4. Gently handle remote, beware of falling.
5. For indoor and dry location use only.



When replacing the batteries, use both hands to remove the back cover of the remote control.